

Monaghan Engineering

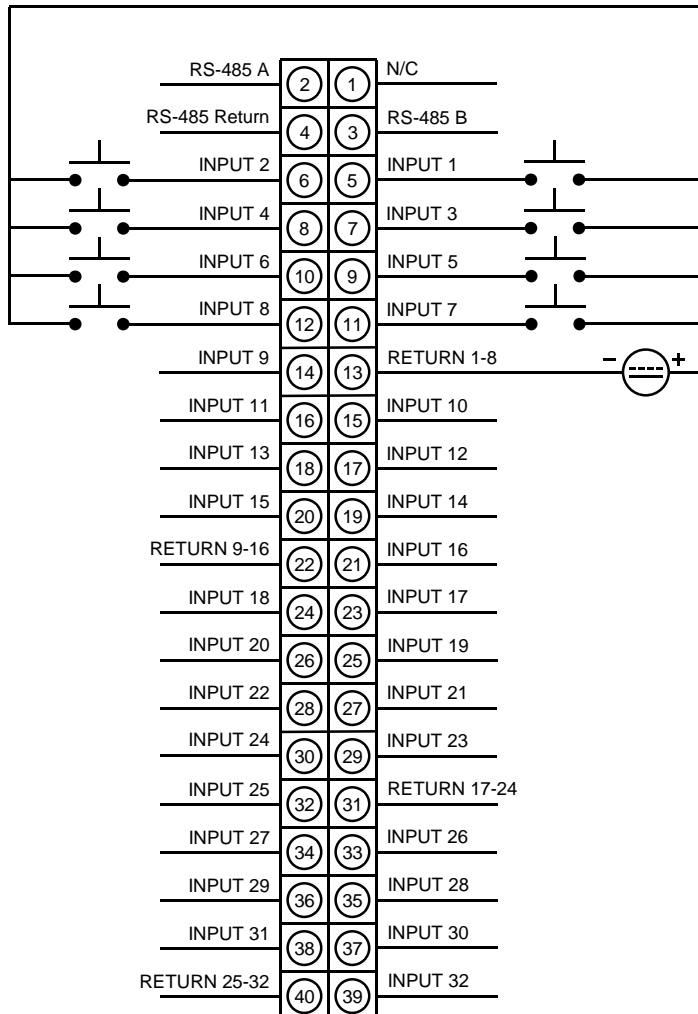
SER 653 00

125 VDC Sequence of Events Recorder Input Module

Publication # 10005

Version 1.0

Topology 4 Groups of 8 inputs
Bus Current Required 320 mA
Operating Voltages and Input Currents
 ON: 85 ... 150 VDC (1.6 mA max)
 OFF: 0 ... 40 VDC



NOTE 1: N/C = Not Connected

For complete instructions regarding this module, including specifications, please obtain a copy of the **SER Hardware Reference Guide** (10004) from your distributor.